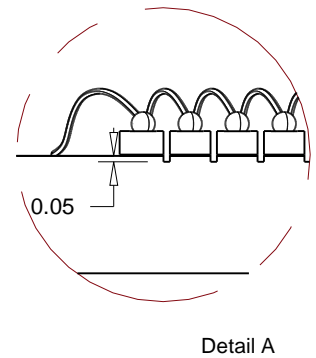
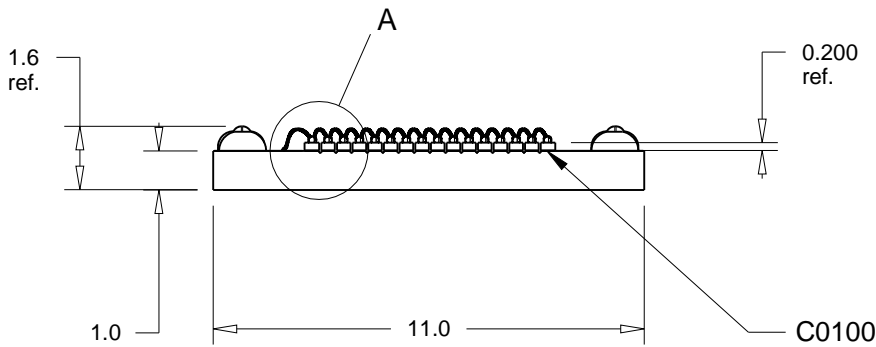
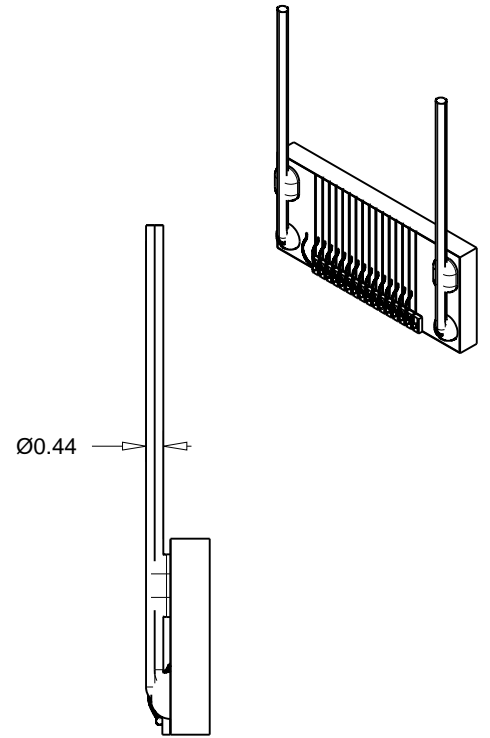
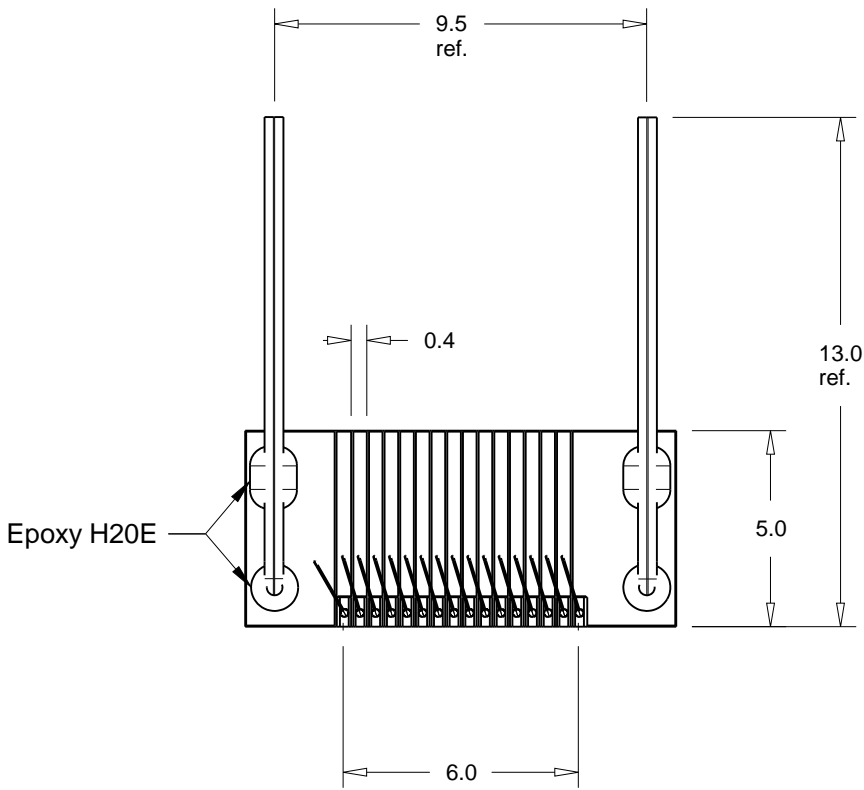


REV.	DESCRIPTION	DATE	BY
0	Mise en place initiale	14/11/12	JB



Variation on finished dimensions up to 150 mm unless indicated: 1 decimal places: ± 0.1 mm. 2 decimal places: ± 0.05 mm. 3 decimal places: ± 0.02 mm.		Laserarray 905nm 11mm with Pins		
		Applicable product codes: All		
Dessiné par: D. Baptizet 06/11/2012 Drawn by:	Format Size A	Numéro de dessin Drawing number	A905D1S16L3J09Y-0152	REV 0
Conçu par: D. Baptizet 06/11/2012 Designed by:	Échelle Scale 5:1	LC Canada	Page Sheet 1/1	